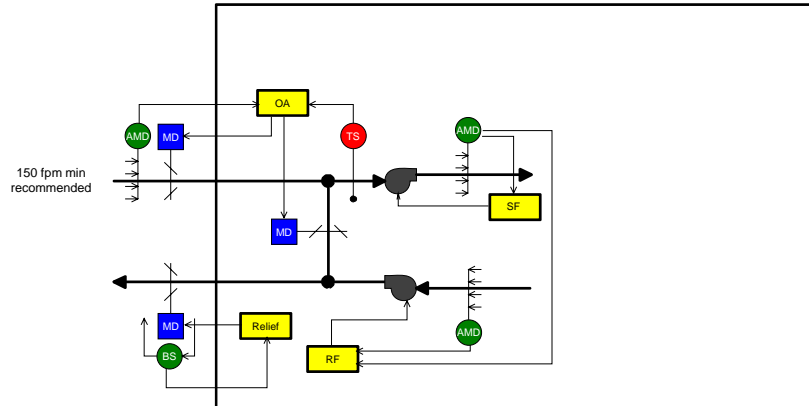


Constant Volume

Supply/Return Fan with Relief at AHU



Sequence: CV_SF_RF_Relief

Economizer Mode

SUPPLY FAN CONTROL

Modulate the supply fan VFD to maintain the supply airflow setpoint.

OUTSIDE AIR AND BUILDING PRESSURE CONTROL – ECONOMIZER or OA w/AHU RELIEF

Modulate the outside air damper and return air damper, in sequence, to maintain the mixed air temperature setpoint by resetting the outside airflow setpoint. **OVERRIDE ECONOMIZER TEMPERATURE CONTROL AND MAINTAIN THE MINIMUM OA FLOW RATE IF THE OA FLOW RATE FALLS BELOW THE VENTILATION REQUIREMENTS FOR DILUTION OR PRESSURIZATION.**

Modulate the return fan VFD to maintain the differential setpoint between the supply and return flow rates. The setpoint should equal the differential measured during minimum outside air mode.

Open the relief air damper when the bleed flow across the damper is greater than 0 fpm.