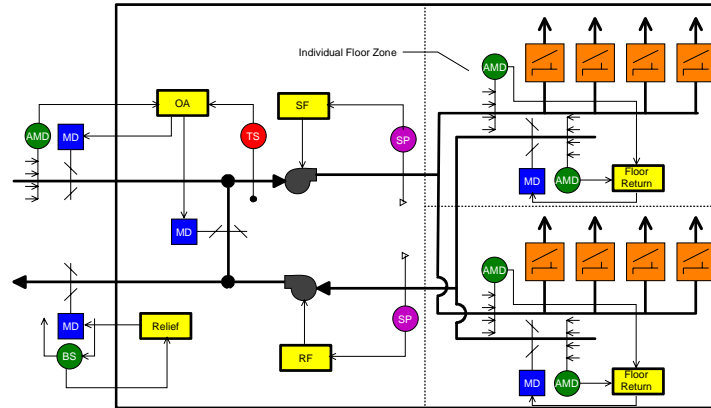


VAV multi-floor systems

Supply/Return Fan with Relief at AHU



Sequence: VAV_SF_RF_Relief_MultiFloor
Economizer Mode

SUPPLY FAN CONTROL

Modulate the supply fan VFD to maintain the discharge plenum or supply duct static pressure required to satisfy the design air volume when all VAV boxes are fully opened.

RETURN FAN CONTROL

Modulate the return fan VFD to maintain the return plenum or return duct static pressure required to satisfy the design air volume when all VAV boxes are fully opened.

FLOOR PRESSURE CONTROL

Modulate the floor return damper(s) to maintain the required supply and return differential at each floor.

ECONOMIZER or OA w/AHU RELIEF

Modulate the outside air damper and return air damper, in sequence, to maintain the mixed air temperature setpoint by resetting the outside airflow setpoint. **OVERRIDE ECONOMIZER TO MAINTAIN THE MINIMUM OA FLOW RATE IF THE OA FLOW RATE FALLS BELOW THE VENTILATION REQUIREMENTS FOR DILUTION OR PRESSURIZATION (i.e. zone differentials cannot be maintained).**

Open the relief air damper when the bleed flow across the damper is greater than 0 fpm.